

PS 04ZN / Screed zinc-coated



Pielietojums: Galvanized screed is used for manual or mechanical implication of interior plasters of 6 mm or 10 mm nominal thickness. Provides a quick, precise, plane plastered surfaces, ensuring exact required thickness. Creates an aesthetically perfect finish.

Advantages:

- Screed provides a quick, precise, plane plastered surfaces, ensuring exact required thickness;
- The profile may also be used to separate plaster areas, inside corner formation and as a skirting bead.

Technical data:

Product code	EAN	Material	Thickness	Width	Height	Length	Package
ALB-PS-06/04ZN-26	4751023401416	Zinc-coated steel	0,4 mm	21 mm	6 mm	2,6 m	50 pcs.
ALB-PS-06/04ZN-30	4751023401409	Zinc-coated steel	0,4 mm	21 mm	6 mm	3,0 m	50 pcs.
ALB-PS-10/04ZN-26	4751023401515	Zinc-coated steel	0,4 mm	24 mm	10 mm	2,6 m	25 pcs.
ALB-PS-10/04ZN-30	4751023401393	Zinc-coated steel	0,4 mm	24 mm	10 mm	3,0 m	25 pcs.

Storage:

A horizontal storage position is recommended. The profiles need to be stored in a dry place the temperature range of -5°C to +40°C. Maximum recommended storage time is 24 months.

MADE IN EUROPE

Distributor: Ltd "Albau" – Ritvari, Rumbula, Stopinu district, LV-2121, Latvia. Reg.No. – 40103561205



www.albau.eu

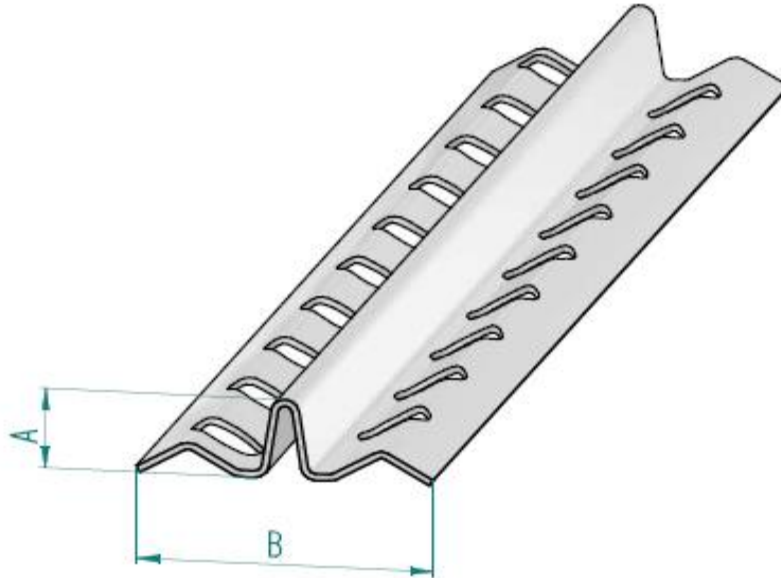


www.xbau.eu



PS 04ZN / Screed zinc-coated
Type

Screed for plaster



Dimensions [mm]:		A	B
	Bead 6mm	6	21
	Bead 10mm	10	24
	Tolerance ±:	0,5	1,0
Profile length [m]:	2,5; 3,0		
Length tolerance [mm]:	± 5		
Thickness [mm]:	0,40		
Thickness tolerance [mm]:	± 0,0		
Material:	Zinc-coated steel - DX51 Z275;200		